

A7 Compression Latch

Lever latch · Over-center action

Features

- Intuitive operation
- Built in leverage helps open stuck doors
- Consistent gasket compression

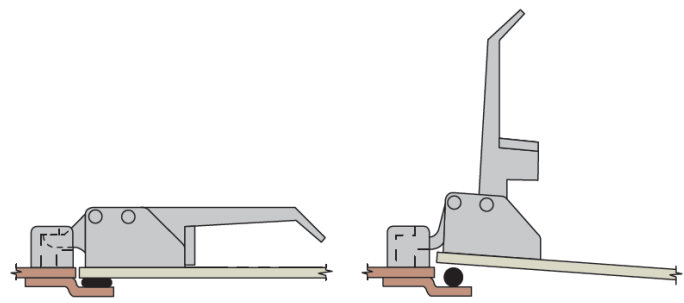
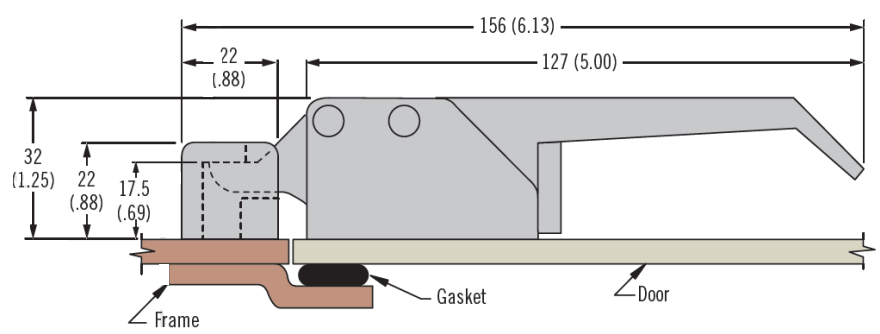
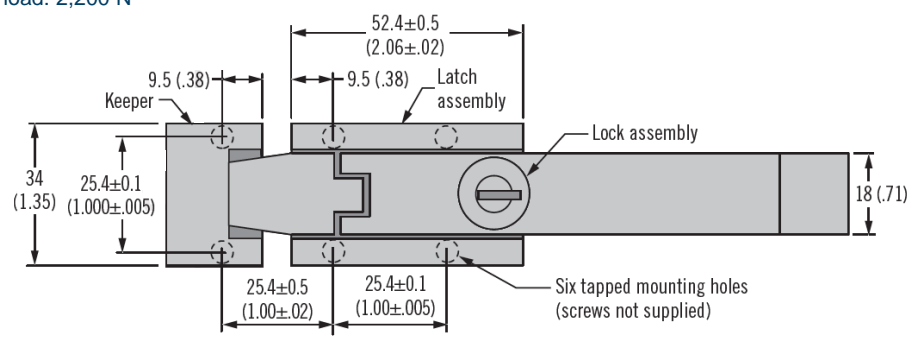
Material

- Zinc alloy, powder coated or chrome plated and steel, zinc plated



Product Performance

- Maximum static load: 2,200 N



Latched 9.5 (.38) compression

L Lock Style

- 1 Non-locking
- 2 Key-locking keyed alike CH751 (two flat keys supplied)

F Finish

- 20 Black powder coated
- 30 Chrome plated
- 75 Satin silver coated

A7 - 10 - 3 T L - F

T Tapped mounting

- 0 Tapped mounting hole 10-32UNC x .38" deep
- 5 Tapped mounting hole M5 x 0.8 x 9.5mm deep

We are proud to be Southco's authorized distributor of over 20 years

